

**Surface mounted, three standard rolls stainless steel AISI 304 satin finish**
**Código: PR0781CS**
**General description**

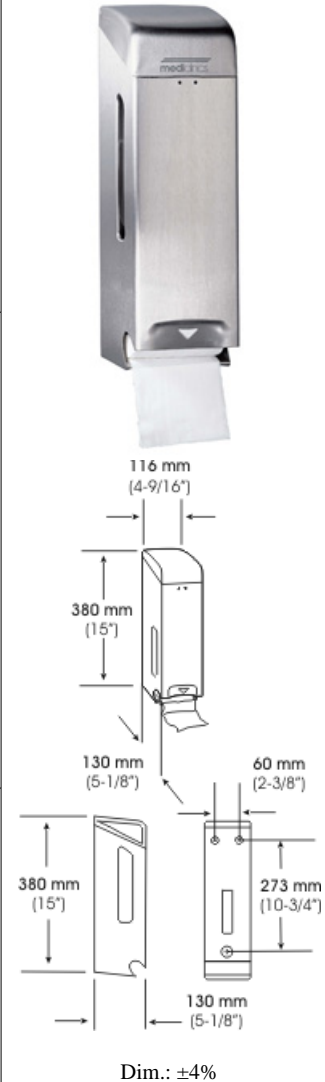
- Toilet paper dispenser for three standard rolls, surface mounted, stainless steel AISI 304 satin finish.
- Manual dispensing.
- Suitable for high traffic facilities.
- Model suitable for public use.
- It generally goes along with a toilet brush holder and toilet paper waste receptacle, stainless steel AISI 304 satin finish.

**Components and Materials**

- Stainless steel AISI 304 satin finish one-piece body, 0,8 mm thick, fully sealed. The supports of the screws in the back of the appliance, are acting as an anti-moisture support, as well as slots to avoid the screws damaging the toilet paper. It is mounted on the wall by means of 3 wood screws with their corresponding 5 mm wall plugs. It includes a lock system with standard mediclinics ® key, that allows opening the lid for replenishment.
- Stainless steel AISI 304 satin finish one-piece seamless lid, 0,8 mm thick, fully sealed. Fixed to the body by means of 2 rivets that allows swinging of the lid for the replenishment through the top opening. The extra tissue rolls descend when the previous one has been finished, by a simple hand manipulation through the side window. There is no need to open the lid for the removal of consumed rolls.
- Frontal sight-hole and slots on each side of body indicate refill time.

**Technical Specifications**

Dimensions - 380x 116x 130 mm
Weight (empty dispenser) - 1,3 Kg
Toilet paper roll diameter - Ø 105-125 mm (maximum)
Toilet paper roll width - 110 mm (maximum)
Recommended installation height to the bottom - 65-75 cm


**Operation**
**Certificates & Qualifications**

ISO 9001:2008.

Mediclinics, S.A., reserves the right to make changes and/or modifications to the products and their specifications without prior notice.

mediclinics S.A

